

May 28th, 2012

Subject: **New Oil Filter Information**

No. **2012-11**

YEAR	MODEL	MODEL NUMBER	SERIAL NUMBER
2008-2012	All	All	All

This bulletin explains the details regarding the new oil filters for 2008 through 2012 Roadsters.

Those improved filters have been developed to:

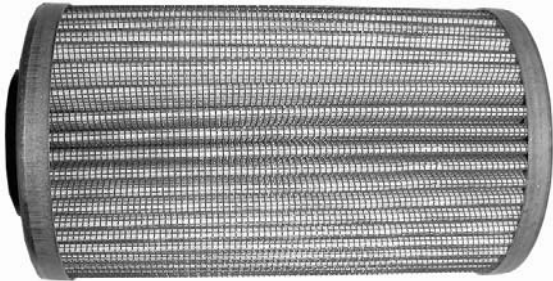
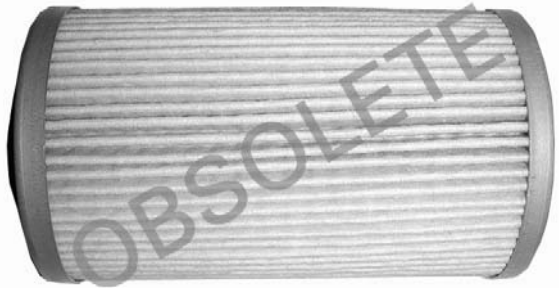
- Improve oil filtration
- Improve SE5 shifting performance
- Allow to use the new extended maintenance schedule (Except for units registered in California).

BOTH the new filters must be installed **BEFORE** using the new extended maintenance schedule. See service bulletin 2012-12 for details.

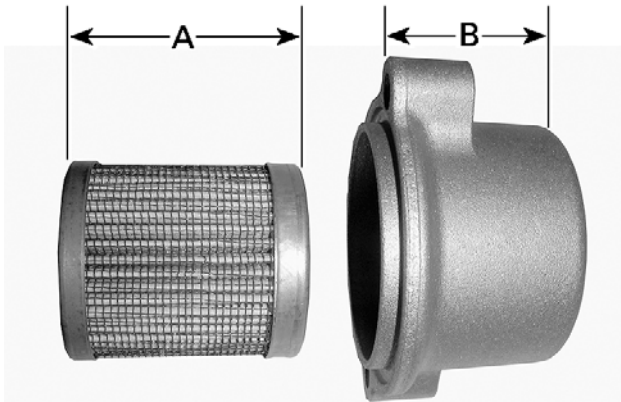
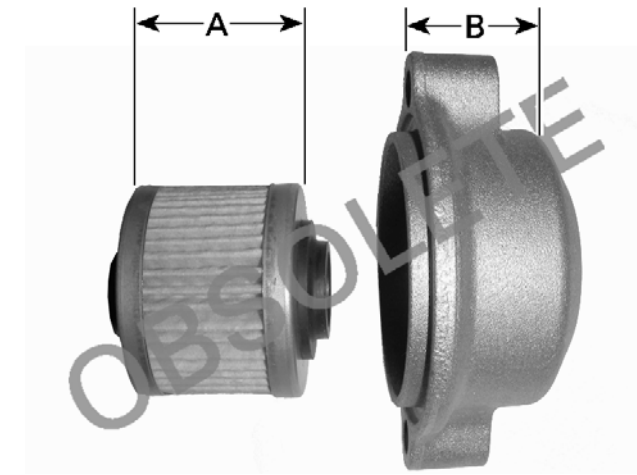
See tables below for part numbers information.

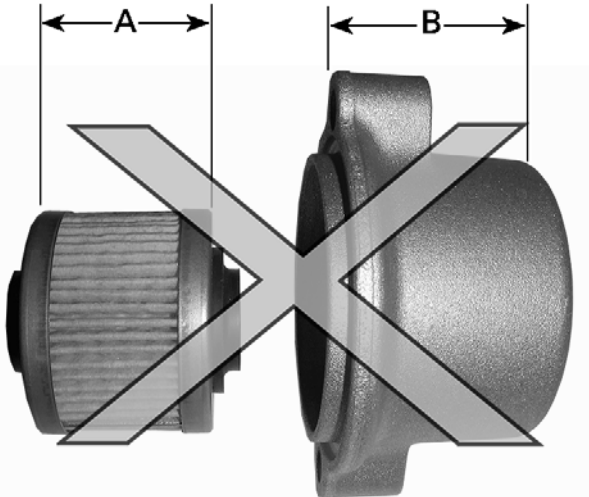
OIL FILTERS INFORMATION

Engine Oil Filter Information

ENGINE OIL FILTER	
NEW FILTER	FORMER FILTER
(P/N 420 956 747)	(P/N 420 956 745)
	

HCM Oil Filter Information

HCM FILTER/COVER			
NEW CONFIGURATION		FORMER CONFIGURATION	
(P/N 420 256 454) FILTER ⁽¹⁾	(P/N 420 211 504) COVER	(P/N 420 256 452) FILTER	(P/N 420 211 506) COVER
 <p>A. 47 mm (1-13/16 in) B. 35 mm (1-3/8 in)</p>		 <p>A. 31 mm (1-1/4 in) B. 22 mm (7/8 in)</p>	
<p>(1) Until May 2013, the cover (P/N 420 211 504) will be provided with the filter (P/N 420 256 454)</p>			

<p>WRONG COMBINATION⁽²⁾</p>	 <p>A. 31 mm (1-1/4 in) B. 35 mm (1-3/8 in)</p>
--	---

(2) The combination of an old (short) filter with a new (long) cover will drastically decrease filtration capacity and lead to multiple gear shifting issues.

Oil Change Kits Information

SM5 OIL CHANGE KIT	
NEW KIT	FORMER KIT
(P/N 219 800 262)	(P/N 219 800 207)

SE5 OIL CHANGE KIT	
NEW KIT	FORMER KIT
(P/N 219 800 263)	(P/N 219 800 208)

PARTS IN STOCK

For information on how to manage obsolete parts in stock:

- North American dealers: Refer to zip bulletin: "ENGINE AND HCM OIL FILTERS NEW PART NUMBERS".
- International dealers: Contact your local after sales representative.

NOTE: The obsolete filters will eventually become unavailable.